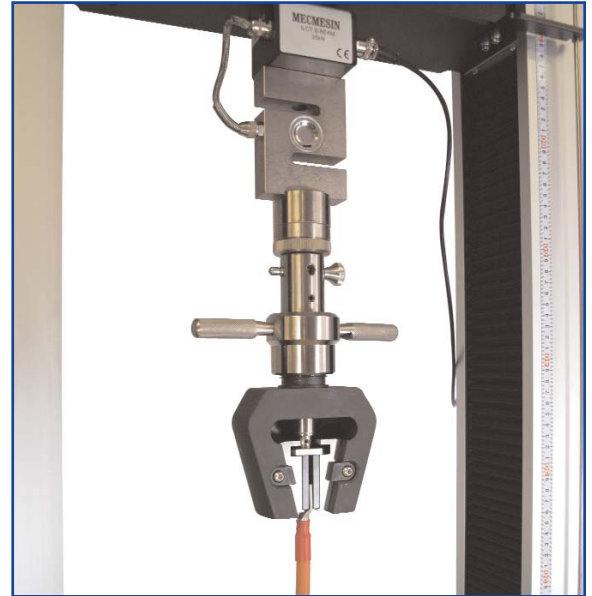


25kN Wedge Grip



Description

These high-capacity self-tightening wedge grips are designed to ensure quick and easy clamping of a wide variety of components and materials. Their capstan action speedily loads the sample securely in the jaws prior to the test. The wedge grips come with 30mm x 45mm cross-hatch jaw faces maximising the clamping force and reducing slippage.

Applications

Used for tensile testing of flat or round rigid components and materials:

- welded joints
- cables
- adhesive joints
- composites
- metals
- plastics
- wood
- polymers
- paper
- cardboard
- leather

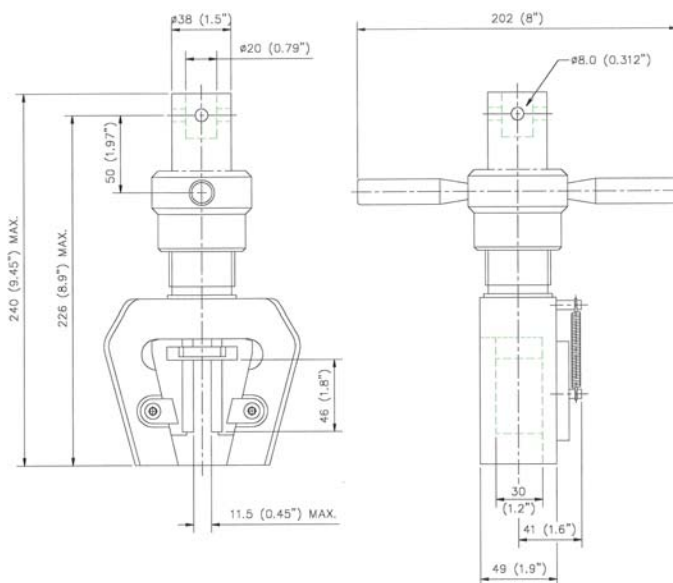
Specifications

Maximum Capacity	Maximum Specimen Dimensions		Weight	Length
	Width	Thickness		
25kN (2500kgf, 5500lbf)	30mm (1.19")	13.3mm (0.52")	4.7kg (10.4lbs)	240mm (9.45")

*Q = Quick-interchange via 8mm Ø pin

ACCESSORY PART NO. 432-272

Dimensions mm (inch)



Adaptors

To fit to:	Adaptor Type and (Part Number)**
Loadcells	
XLC-T / ILC-T 25kN	Type C (432-284) and Type G (432-288)
XLC-T / ILC-T 10kN, XLC-S / ILC-S 2500N, 5000N	Type C (432-284) and Type F (432-287)
XLC-S / ILC-S 1000N	Type C (432-284) and Type E (432-286)
XLC-S / ILC-S 100N, 200N, 500N	Not suitable
Force Gauge with 5/16 UNC Thread	Not suitable
ILC / Force Gauge 10/32 UNF Thread	Not suitable
Test Stands	
MultiTest 10kN / 25kN	Type C (432-284)
MultiTest 5kN	Type A (432-282)
MultiTest 2.5kN	Not suitable
MultiTest 1kN	Not suitable

** For further information please see Adaptor Datasheet 431-354-1-1



DISTRIBUTOR STAMP

431-354-12-3

Mecmesin reserves the right to alter equipment specifications without prior notice.

Head Office

Mecmesin Limited
Newton House, Spring
Copee Business Park,
Slinfold, West Sussex,
RH13 0SZ, UK

e. sales@mecmesin.com
t. +44 (0) 1403 799979
f. +44 (0) 1403 799975

North America

Mecmesin Corporation
45921 Maries Road,
Suite 120, Sterling
Virginia 20166,
U.S.A.

e. info@mecmesincorp.com
t. +1 703 433 9247
f. +1 703 444 9860

Asia

Mecmesin Asia Co. Ltd
91/1 Chaiyo Building, 11th Floor,
Room 1106, Rama 9 Road, Huaykwang,
Bangkok, 10310,
Thailand

e. sales@mecmesinasia.com
t. +66 2 247 46 81
f. +66 2 247 46 82

China

Mecmesin (Shanghai) Pte Ltd
Room 302, No. 172,
Daxue Lu - University Avenue
Yangpu District, Shanghai, 200433
People's Republic of China

e. sales@mecmesin-china.com
t. +86 21 5566 1037 / 3377 1738
f. +86 21 5566 1057