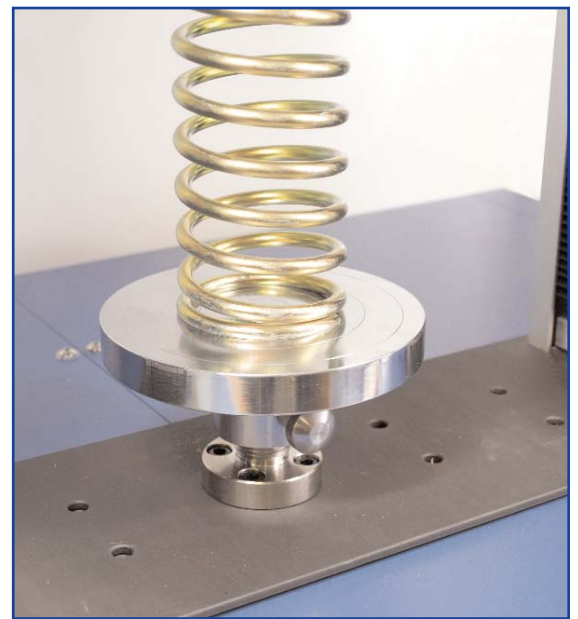


## Compression Plate Hardened and Ground 130mmØ



### Description

Hardened and ground compression plates have a smooth, scratch-proof surface ideal for compression testing on samples that could damage a standard compression plate, such as springs. These compression plates are suitable for samples up to 130mm (5.12") in diameter.

### Applications

Used for compression testing of:

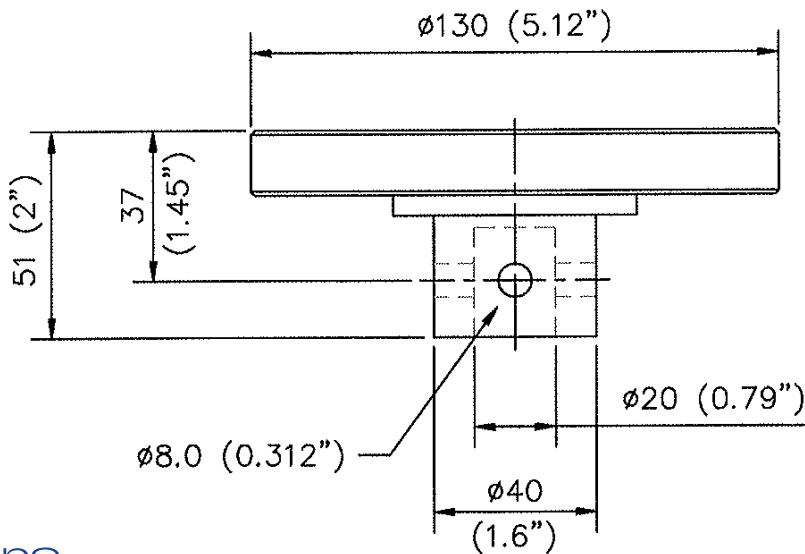
- springs
- bottles
- cans
- foam

### Specifications

Maximum Capacity	Maximum Specimen Dimensions	Weight	Length
	Diameter Ø		
5kN (500kgf, 1100lbf)	130mm (5.12")	3.2kg (7.05lbs)	51mm (2")

\*Q = Quick-interchange via 8mm Ø pin  
ACCESSORY PART NO. 432-342

## Dimensions mm (inch)



## Adaptors

To fit to:	Adaptor Type and (Part Number)*
<b>Loadcells</b>	
XLC-T / ILC-T 25kN	Type C (432-284) and Type G (432-288) supplied with loadcell
XLC-T / ILC-T 10kN, XLC-S / ILC-S 2500N, 5000N	Type C (432-284) and Type F (432-287)
XLC-S / ILC-S 1000N	Type C (432-284) and Type E (432-286)
XLC-S / ILC-S 100N, 200N, 500N	n/a
Force Gauge with 5/16 UNC Thread	Type A (432-282)
ILC / Force Gauge 10/32 UNF Thread	n/a
<b>Test Stands</b>	
MultiTest 10kN / 25kN	Type C (432-284) supplied with the stand
MultiTest 5kN	Type C (432-284)
MultiTest 2.5kN	Type C (432-284)
MultiTest 1kN	Type C (432-284)

\* For further information please see Adaptor Datasheet 431-354-1-1



DISTRIBUTOR STAMP

431-354-13-3

Mecmesin reserves the right to alter equipment specifications without prior notice.

### Head Office

**Mecmesin Limited**  
Newton House, Spring  
Copee Business Park,  
Slinfold, West Sussex,  
RH13 0SZ, UK

e. sales@mecmesin.com  
t. +44 (0) 1403 799979  
f. +44 (0) 1403 799975

### North America

**Mecmesin Corporation**  
45921 Maries Road,  
Suite 120, Sterling  
Virginia 20166,  
U.S.A.

e. info@mecmesincorp.com  
t. +1 703 433 9247  
f. +1 703 444 9860

### Asia

**Mecmesin Asia Co. Ltd**  
91/1 Chaiyo Building, 11th Floor,  
Room 1106, Rama 9 Road, Huaykwang,  
Bangkok, 10310,  
Thailand

e. sales@mecmesinasia.com  
t. +66 2 247 46 81  
f. +66 2 247 46 82

### China

**Mecmesin (Shanghai) Pte Ltd**  
Room 302, No. 172,  
Daxue Lu - University Avenue,  
Yangpu District, Shanghai, 200433  
People's Republic of China

e. sales@mecmesin-china.com  
t. +86 21 5566 1037 / 3377 1738  
f. +86 21 5566 1057