

## Compression Plate - Vented 50mmØ + Cone with Hole



### Description

Vented compression plates are ideal for top-load/crush testing of containers such as PET bottles. Two circular vents allow air to escape from the container during compression and an integrated nose cone helps to position containers centrally, minimising bottle slippage during testing. These compression plates are suitable for bottles with necks up to 50mm (1.97") in diameter.

### Applications

Used for compression testing of:

- plastic bottles
- PET containers

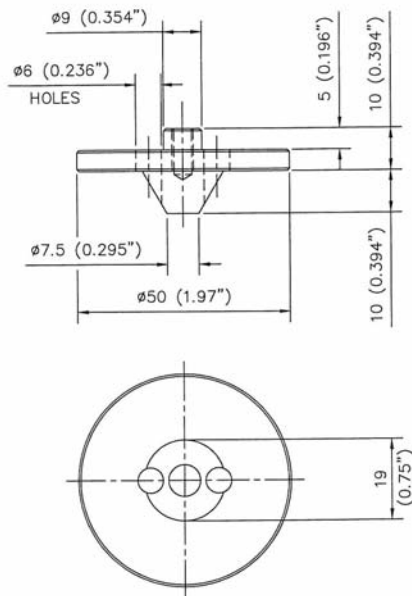
### Specifications

Maximum Capacity	Maximum Specimen Dimensions	Weight	Part No.
	Diameter Ø		
500N (50kgf, 110lbf)	50mm (1.97")	50g (0.11lbs)	432-347
5000N (500kgf, 1100lbf)	50mm (1.97")	50g (0.11lbs)	432-348

ACCESSORY PART Nos. 432-347 (10-32 UNF Thread)  
432-348 (5/16 UNC Thread)

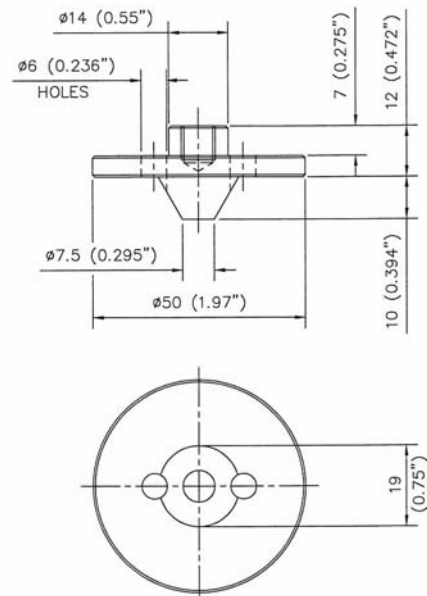
## Dimensions mm (inch)

### 10-32 UNF thread



**432-347**

### 5/16 UNC thread



**432-348**

## Adaptors

	432-347 (10-32 UNF)	432-348 (5/16 UNC)
<b>To fit to:</b>	<b>Adaptor Type and (Part Number)*</b>	
<b>Loadcells</b>		
XLC-T / ILC-T 25kN	n/a	n/a
XLC-T / ILC-T 10kN, XLC-S / ILC-S 2500N, 5000N	n/a	Fits directly
XLC-S / ILC-S 1000N	n/a	Fits directly
XLC-S / ILC-S 100N, 200N, 500N	10-32 to M6 (432-417)	5/16 to M6 (432-330)
Force Gauge with 5/16 UNC Thread	10-32 to 5/16 (432-329)	Fits directly
ILC / Force Gauge 10-32 UNF Thread	Fits directly	10-32 to 5/16 (432-329)

\* For further information please see Adaptor Datasheet 431-354-1-1



DISTRIBUTOR STAMP

431-354-28-1

Mecmesin reserves the right to alter equipment specifications without prior notice.

### Head Office

**Mecmesin Limited**  
Newton House, Spring  
Copse Business Park,  
Slinfold, West Sussex,  
RH13 0SZ, UK

e. sales@mecmesin.com  
t. +44 (0) 1403 799979  
f. +44 (0) 1403 799975

### North America

**Mecmesin Corporation**  
45921 Maries Road,  
Suite 120, Sterling  
Virginia 20166,  
U.S.A.

e. info@mecmesincorp.com  
t. +1 703 433 9247  
f. +1 703 444 9860

### Asia

**Mecmesin Asia Co. Ltd**  
9/1 Chaiyo Building, 11th Floor,  
Room 1106, Rama 9 Road, Huaykwang,  
Bangkok, 10310,  
Thailand

e. sales@mecmesinasia.com  
t. +66 2 247 46 81  
f. +66 2 247 46 82

### China

**Mecmesin (Shanghai) Pte Ltd**  
Room 302, No. 172  
Daxue Lu - University Avenue,  
Yangpu District, Shanghai, 200433  
People's Republic of China

e. sales@mecmesin-china.com  
t. +86 21 5566 1037 / 3377 1738  
f. +86 21 5566 1057