

## Heavy Duty Belt Grips



### Description

High strength belts and straps such as conveyor belts require special grips to prevent sample slippage. Heavy duty belt grips have a split body for firm gripping of samples up to 50mm (1.97") wide. By winding the belt around the split bodies the stresses in the sample are distributed over the material in contact with the split bodies, allowing effective tensile testing up to 10kN. Grips are supplied in pairs.

### Applications

Used for tensile testing of:

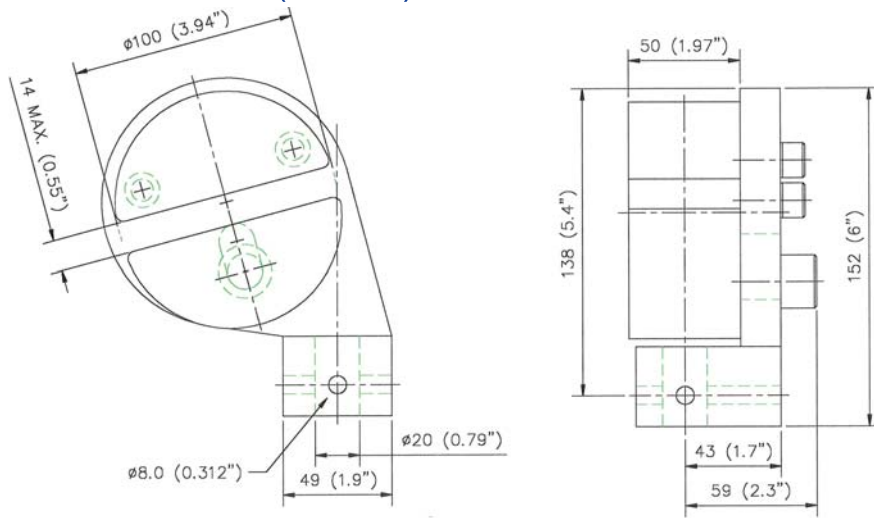
- conveyor belts
- plastic and metal strapping
- seat belts
- webbing

### Specifications

Maximum Capacity	Maximum Specimen Dimensions		Weight	Length
	Width	Thickness		
10kN (1000kgf, 2200lbf)	50mm (1.97")	14mm (0.55")	5kg (11lbs)	152mm (6")

\*Q = Quick-interchange via 8mm Ø pin  
ACCESSORY PART NO. 432-277

## Dimensions mm (inch)



## Adaptors

To fit to:	Adaptor Type and (Part Number)**
<b>Loadcells</b>	
XLC-T / ILC-T 25kN	Type C (432-284) and Type G (432-288)
XLC-T / ILC-T 10kN, XLC-S / ILC-S 2500N, 5000N	Type C (432-284) and Type F (432-287)
XLC-S / ILC-S 1000N	Not suitable
XLC-S / ILC-S 100N, 200N, 500N	Not suitable
Force Gauge with 5/16 UNC Thread	Not suitable
ILC / Force Gauge 10/32 UNF Thread	Not suitable
<b>Test Stands</b>	
MultiTest 10kN / 25kN	Type C (432-284)
MultiTest 5kN	Type C (432-284)
MultiTest 2.5kN	Not suitable
MultiTest 1kN	Not suitable

\*\* For further information please see Adaptor Datasheet 431-354-1-1



DISTRIBUTOR STAMP

431-354-17-5

Mecmesin reserves the right to alter equipment specifications without prior notice.

### Head Office

Mecmesin Limited  
Newton House,  
Spring Copse Business Park,  
Slinfold, West Sussex,  
RH13 0SZ, UK.

e. sales@mecmesin.com  
t. +44 (0) 1403 799979  
f. +44 (0) 1403 799975

### North America

Mecmesin Corporation  
45921 Maries Road,  
Suite 120, Sterling,  
Virginia 20166,  
U.S.A.

e. info@mecmesinincorp.com  
t. +1 703 433 9247  
f. +1 703 444 9860

### Asia

Mecmesin Asia Co. Ltd  
9/1 Chaiyo Building, 11th Floor,  
Room 1106, Rama 9 Road, Huaykwang,  
Bangkok, 10310,  
Thailand.

e. sales@mecmesinasia.com  
t. +66 2 247 46 81  
f. +66 2 247 46 82

### China

Mecmesin (Shanghai) Pte Ltd  
Room 302, No. 172,  
Daxue Lu - University Avenue,  
Yangpu District, Shanghai, 200433,  
People's Republic of China.

e. sales@mecmesin-china.com  
t. +86 21 5566 1037 / 3377 1733  
f. +86 21 5566 1057