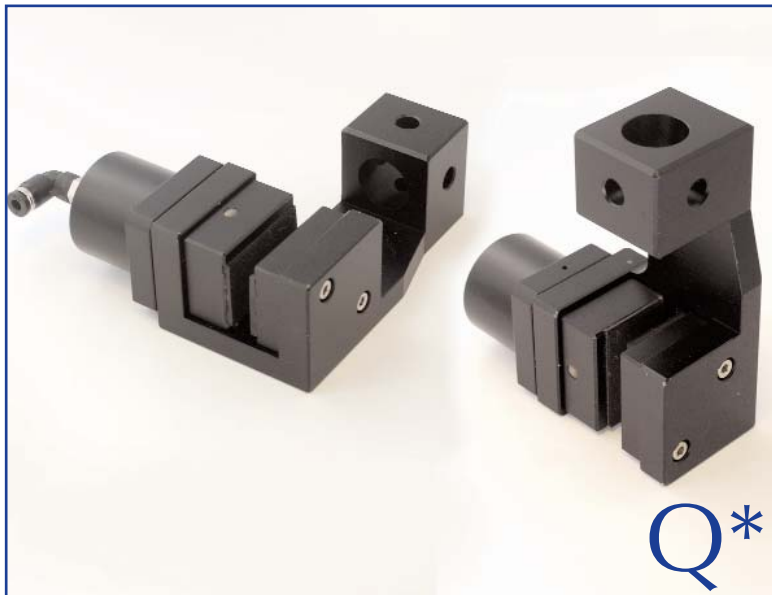


Small Pneumatic Plane Grips



Description

Made from aluminium, these lightweight pneumatically-operated plane grips use a parallel vice action to firmly hold grip-sensitive, flat samples in place. Fitted with 25mm x 40mm (1" x 1.6") rubber-coated faces, they are ideal for situations where there are a large number of samples to test as they are quick and easy to load. The grips are supplied in pairs complete with 3m long tube and footswitch for convenient operation. Recommended air pressure 6 bar (maximum 8 bar).

Applications

Used for tensile testing of:

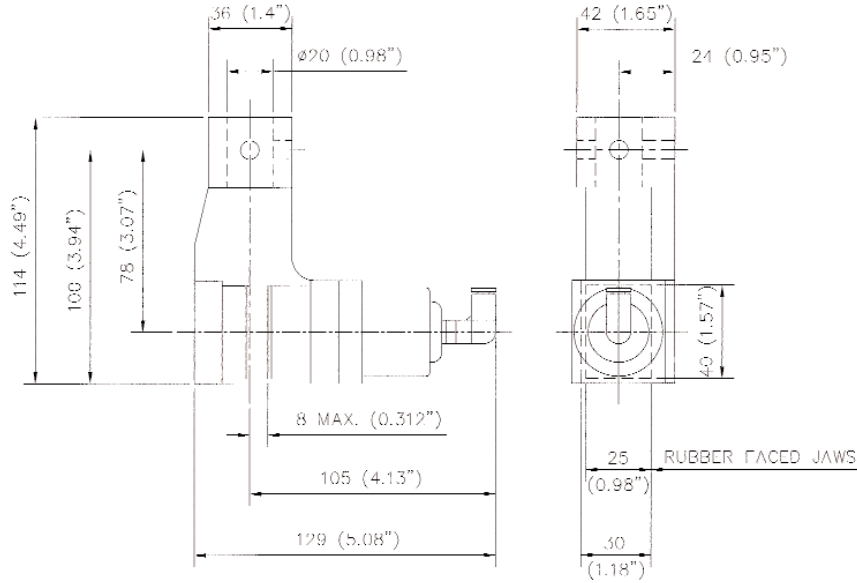
- film
- plastic sheet
- paper
- rubber
- laminates
- textiles
- woven fibre strips
- elastomers

Specifications

Maximum Capacity	Maximum Specimen Dimensions		Weight per Grip	Length
	Width	Thickness		
200N (20kgf, 45lbf)	25mm (1")	8mm (0.3")	0.6kg (1.3lbs)	114mm (4.49")

*Q = Quick-interchange via 8mm Ø pin
ACCESSORY PART NO. 432-275

Dimensions mm (inch)



Adaptors

To fit to:	Adaptor Type and (Part Number)**
Loadcells	
XLC-T / ILC-T 25kN	Type C (432-284) and Type G (432-288)
XLC-T / ILC-T 10kN, XLC-S / ILC-S 2500N, 5000N	Type C (432-284) and Type F (432-287)
XLC-S / ILC-S 1000N	Type C (432-284) and Type E (432-286)
XLC-S / ILC-S 100N, 200N, 500N	Type C (432-284) and Type D (432-285)
Force Gauge with 5/16 UNC Thread	Type A (432-282)
ILC / Force Gauge 10/32 UNF Thread	Not suitable
Test Stands	
MultiTest 10kN / 25kN	Type C (432-284)
MultiTest 5kN	Type A (432-282)

** For further information please see Adaptor Datasheet 431-354-1-1



DISTRIBUTOR STAMP

431-354-15-2

Mecmesin reserves the right to alter equipment specifications without prior notice.

Head Office

Mecmesin Limited
Newton House, Spring
Copse Business Park,
Slinfold, West Sussex,
RH13 0SZ, UK

e. sales@mecmesin.com
t. +44 (0) 1403 799979
f. +44 (0) 1403 799975

North America

Mecmesin Corporation
45921 Maries Road,
Suite 120, Sterling
Virginia 20166,
U.S.A.

e. info@mecmesincorp.com
t. +1 703 433 9247
f. +1 703 444 9860

Asia

Mecmesin Asia Co. Ltd
91/1 Chaiyo Building, 11th Floor,
Room 1106, Rama 9 Road, Huaykwang,
Bangkok, 10310,
Thailand

e. sales@mecmesinasia.com
t. +66 2 247 46 81
f. +66 2 247 46 82

China

Mecmesin (Shanghai) Pte Ltd
Unit 1308, Da Lian Road,
No. 970, (Hi Shanghai Building 9),
Yang Pu District, Shanghai,
People's Republic of China

e. sales@mecmesin-china.com
t. +86 21 3377 1733 / 1755
f. +86 21 3377 1766